

**NVR4POE** NVR with 4-Channel POE  
**NVR8POE** NVR with 8-Channel POE  
**NVR16POE** NVR with 16-Channel POE



## FEATURES:

- ◆ Real-Time 30FPS/Ch Recording @ 1080p
- ◆ Up to 6MP Recording
- ◆ H.264 Recording Compression
- ◆ Full Mobile Apps for iPhone, iPad & Android
- ◆ Built-in Motion Detection/Privacy Mask
- ◆ Free CMS Software
- ◆ Free Streaming Server Software
- ◆ Supports P2P Operation
- ◆ Up to 12TB Storage Capacity
- ◆ Integrated 50W/120W/200W PoE Switch (4/8/16Ch)
- ◆ Included Mouse & IR Remote
- ◆ Dual USBs for Copying Video & Mouse Control
- ◆ Simultaneous HDMI & VGA Video Outputs
- ◆ Up to 16 Channel Synchronous Playback
- ◆ Accepts ONVIF/PSIA Protocols
- ◆ Rack Mount Hardware Included (8 & 16Ch)
- ◆ PAL/NTSC Selectable
- ◆ Built-in Audio & Alarm
- ◆ Supports 2-Way Audio



GUARDING VISION

## GUARDING VISION

Free Mobile App for iPhone, iPad, Android & Android Tablets

## Plug and Play with Northern IP Cameras!

\*Cameras Sold Separately

### IPPTZ30XIR

2MP, 30X Zoom, 395' IR PTZ Camera

### IP4D

4MP, 2.8mm, 100' IR Mini-Dome Camera

### IP4W

4MP, 2.8mm, 30' IR Wedge Camera

### IP4B

4MP, 4.0mm, 100' IR Bullet Camera

### IP4T

4MP, 2.8mm, 100' IR Turret Camera

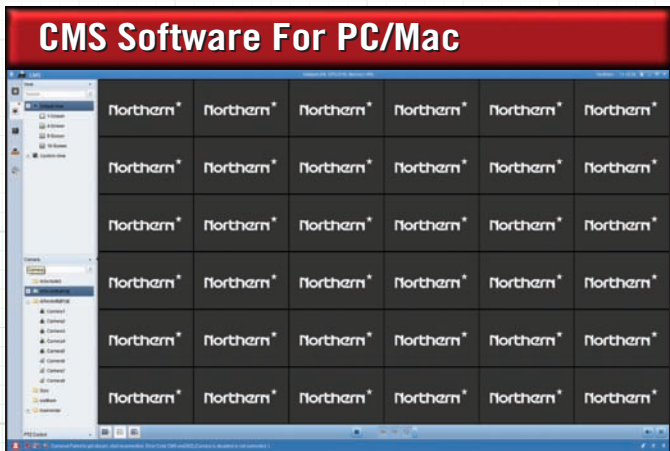
### IP4MVFD

4MP, Motorized 2.8-12mm, 100' IR Dome Camera

### IP4MVFB

4MP, Motorized 2.8-12mm, 100' IR Bullet Camera





## Learn More

### Mobile Apps for iPhone, iPad & Android

View & Playback Video from multiple mobile devices.

### Real Time 1080p Recording

All models record 30FPS per Channel @1080p resolution.

### Up to 12TB Storage Capacity

Large Hard Disk storage capacity allows for longer storage of recorded video.

### Built in PoE Switch

4Ch/50W, 8Ch/120W or 16Ch/200W PoE Switch for connecting & powering cameras directly from the NVR using only a single CAT5 or CAT6 cable.

### Free CMS Software for PC & MAC

Connect to multiple NVRs or individual IP cameras from a single computer with the included CMS software.

### Free Streaming Server Software

Perfect for lowering the bandwidth load on the NVR in applications where multiple users need constant remote access.

### Mouse & IR Remote Control

Easily control the NVR from either the included Mouse or IR Remote Controller.

### HDMI & VGA Video Outputs

Simultaneously display video through both VGA & HDMI monitor outputs.

### Built in Motion Detection

Maximize your recording duration by only recording when Motion is detected by the NVR.

### Supports DDNS

DDNS insures you will always stay connected to your NVR when using a Dynamic IP address.

### P2P Operation

Peer to Peer functionality makes set up easier by bypassing the need to configure port forwarding in most routers.

### Dual USB Ports

NVR's include front and rear USB ports for making copies of video and mouse control of the DVR.

### Remote Accessibility

Remotely connect, monitor, playback, record and change NVR settings via IE, Firefox, Chrome and Safari Browsers.

### Plug & Play

Effortless camera set up requires no configuration. Simply plug them in and generate video when used with Northern IP Cameras.

### 3rd Party Compatibility

Built in protocols for Onvif, Acti, Arecont, Axis, Bosch, Brickcom, Canon, Hikvision, Hunt, Panasonic, Samsung, Sony, Vivotek, Zavio..

## Hard Drive Configurations / Part Numbers / Package Contents

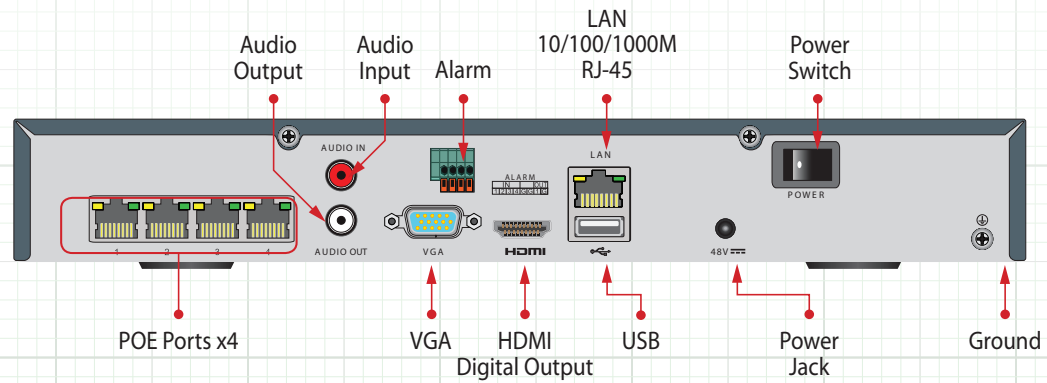
DRIVE SIZE	4 Channel	8 Channel	16 Channel
2TB	NVR4POE2T	NVR8POE2T	NVR16POE2T
4TB	NVR4POE4T	NVR8POE4T	NVR16POE4T
6TB	NVR4POE6T	NVR8POE6T	NVR16POE6T
8TB	N/A	NVR8POE8T	NVR16POE8T
12TB	N/A	NVR8POE12T	NVR16POE12T

### PACKAGE CONTENTS

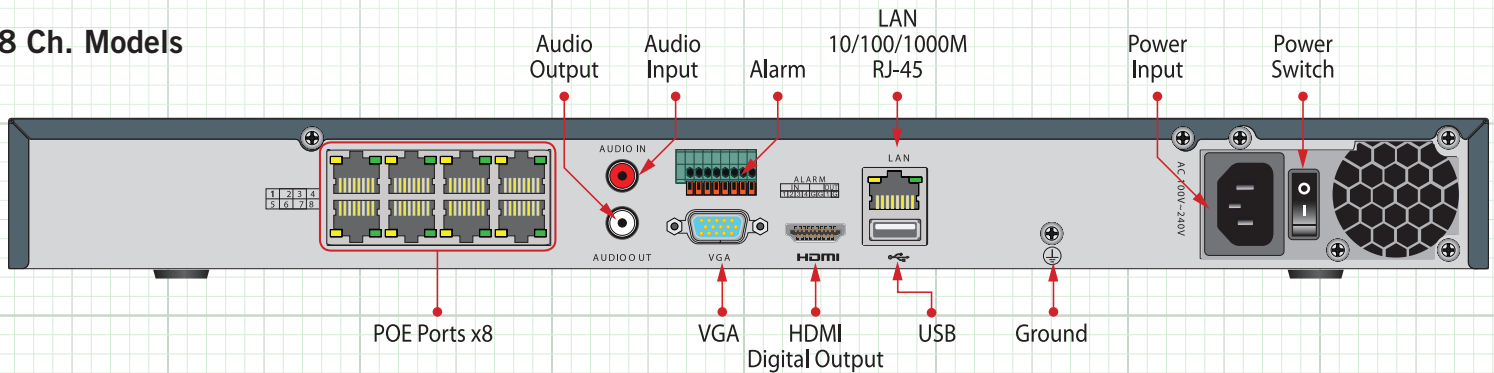
1. Power Cord (8 & 16 Ch units)
1. Power Supply / Cord (4Ch)
1. IR Remote Control
1. Software CD
1. Quick Start Manual
2. Rack Mount Ears (8 & 16Ch)
1. Mouse

## Rear Panel Definitions / Connections

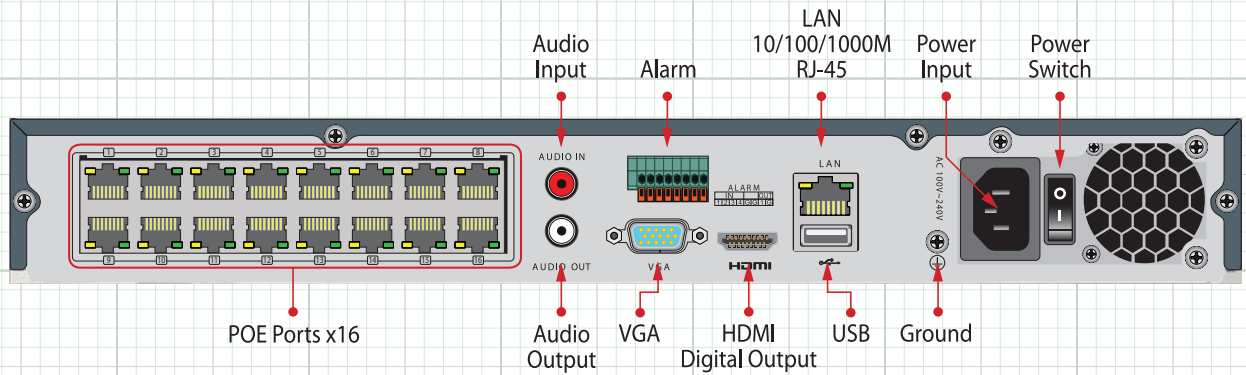
### 4 Ch. Models



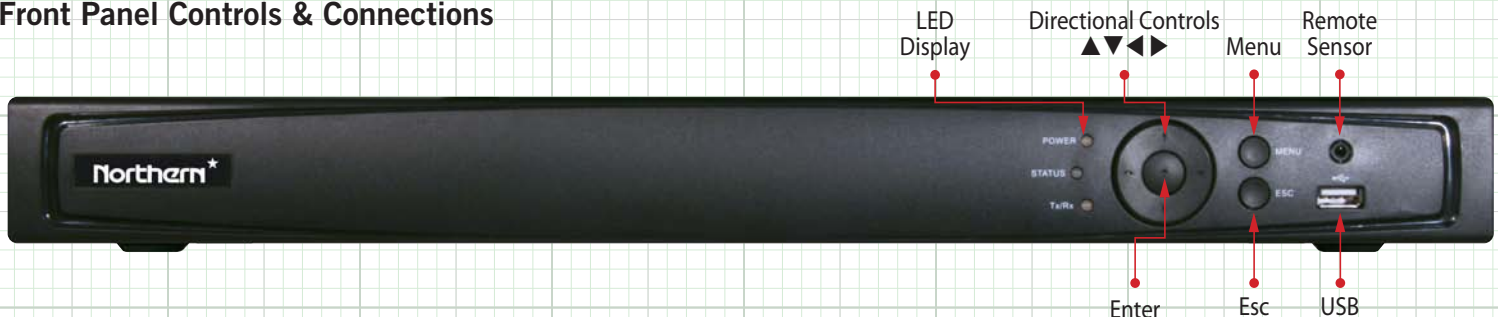
### 8 Ch. Models



### 16 Ch. Models



## Front Panel Controls & Connections



## NVRPOE Series Specifications

	FEATURES	NVR4POE	NVR8POE	NVR16POE
Video/Audio Input	IP Video Input	4-Ch.	8-Ch.	16-Ch.
	Two-Way Audio Input	1-ch, RCA (2.0 Vp-p, 1kΩ)		
	NTSC / PAL	Auto Detection for NTSC/PAL Formats		
	Plug & Play Models	IP3D / IP3B / IP3W / IP3T / IP3VFB / IP3VFD		
	Third Party Compatible Mfg.	ACTI, Arecont, AXIS, Bosch, Brickcom, Canon, HIKvision, PANASONIC, Pelco, SAMSUNG, SANYO, SONY, Vivotek, ZAVIO, ONVIF, PSIA		
Network	Incoming Bandwidth	40Mbps	80Mbps	160Mbps
	Outgoing Bandwidth	80Mbps		
	Remote Connection	32	128	
Video/Audio Output	Recording Resolution	6MP/5MP/3MP/1080P/UXGA/720P/VGA/4CIF/DCIF/2CIF/CIF/QCIF		
	Frame rate	Main stream: 50 fps (P) / 60 fps (N) Sub-stream: 50 fps (P) / 60 fps (N)		
	Simultaneous Outputs	Yes - VGA and HDMI Simultaneous Outputs		
	HDMI/VGA Output Resolution	1-ch: 1920 × 1080P /60Hz, 1600 × 1200 /60Hz, 1280 × 1024 /60Hz, 1280 × 720 /60Hz, 1024 × 768 /60Hz		
	Audio Output	1-ch, RCA (Linear, 1kΩ)		
De-coding	Live View / Playback Resolution	6MP / 5MP / 3MP / 1080P / UXGA / 720P / VGA / 4CIF / DCIF / 2CIF / CIF / QCIF		
	Playback Capability	4-Ch.@1080P	8-Ch.@720P, 6-Ch. @1080P	16-Ch.@4CIF, 12-Ch.@720p, 6-Ch.@1080p
Recording & Playback	Record Mode Types	Manual, Continuous, Alarm, Motion, Motion & Alarm		
	Record Time Periods	8 Recording Time Periods with Separate Record Types		
	Pre & Post Recording	Pre & Post Recording for Alarm & Motion Detection / Pre Recording for Schedule & Manual Recording		
	Redundant Recording	N/A	Yes - Available only in 2 HDD configurations	
	Recording Parameters	Independent for Each Channel (Resolution, Frame Rate, Bit Rate, Image Quality, etc.)		
	Zooming	Available in Live View & Playback		
	Synchronous playback	4Ch, 720P / 2Ch, 1080P / 1Ch, 5MP	8Ch, 4CIF / 4Ch, 720P / 2Ch, 1080P / 1Ch, 5MP	16Ch, 4CIF / 12Ch, 720p / 6Ch, 1080p / 1Ch, 6MP
	Playback Controls	Pause, Reverse Play, Speed Up, Speed Down, Skip Forward, Skip Backward, Mouse Drag		
Searching	Search Recorded Files by Events (Alarm Input / Motion Detection)			
Hard Disk	SATA	1 SATA interface for 1 HDD	2 SATA interfaces for 2 HDDs	
	Capacity	Up to 6TB for each disk		
	Max Storage	6TB	12TB	
	HDD Detection	Built-in S.M.A.R.T and Bad Sector Detection		
External Interface	Network Interface	1 RJ-45 10 /100 /1000 Mbps self-adaptive Ethernet interface		
	USB Interface	1 × USB 2.0 (Front Panel) and 1 × USB 3.0 (Rear Panel)		
	Alarm In/Out	4-In / 1-Out		
IVMS Software	CMS Client - Included	Yes		
	Video Server - Included	Yes		
	Streaming Server - Included	Yes		
PoE	Network Interface	4 Independent 100 Mbps PoE	8 Independent 100 Mbps PoE	16 Independent 100Mbps
	Max. Power	50W	120W	200W
	Supported Standard	AF and AT		
General	Power Supply	External / 48V DC Included	Internal / 110~220V AC	
	Consumption	≤ 10W (without hard disk and PoE)		≤ 15W (without hard disk and PoE)
	Operating Temperature	-10 °C ~ +55 °C (+14 °F~ + 131 °F)		
	Operating Humidity	10 % ~ 90 %		
	Chassis	1U chassis	19" rack-mount 1U chassis	15" rack-mount 1U chassis
	Dimensions (W × D × H)	315 × 230 × 45mm / (12.4"×9.1"×1.8")	445 × 290 × 45mm / (17.5" × 11.4" × 1.8")	380 × 290 × 48mm / (15" × 11.4" × 1.9")
Weight	≤ 1 kg (2.2 lb.) (without hard disk)			

Note: Specification subject to change without notice